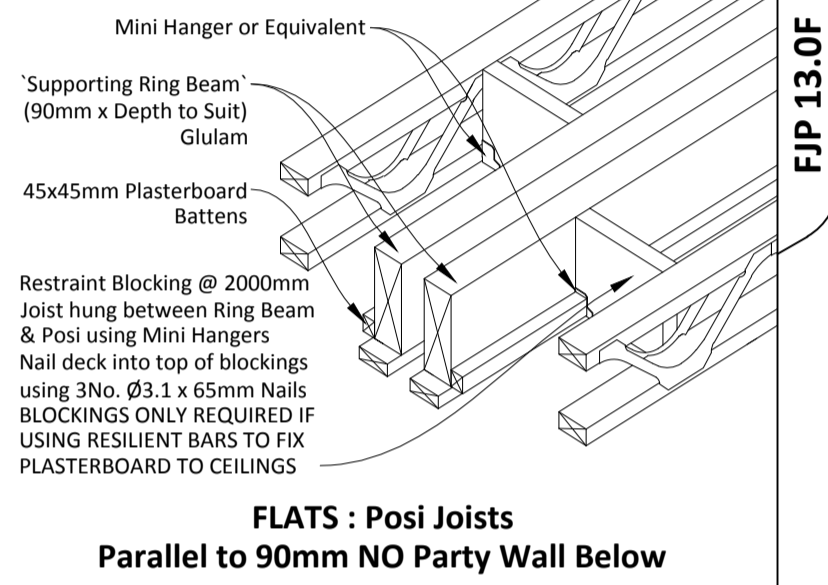
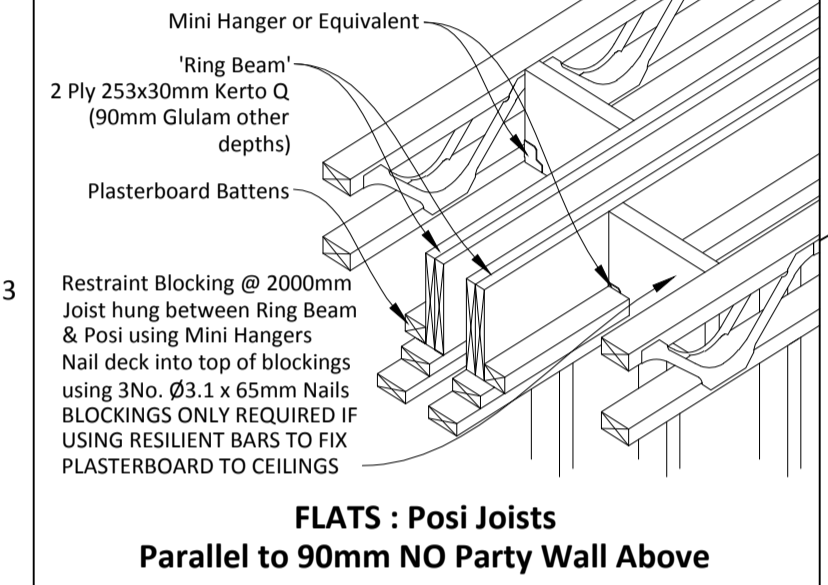


IMPORTANT:
Please Note the Details up to FJP 11.0 state Houses but they are currently identical to that of Flats. To save space & duplicating details please refer to these for BOTH Houses & Flats until further notice (excludes FJP 10.0)

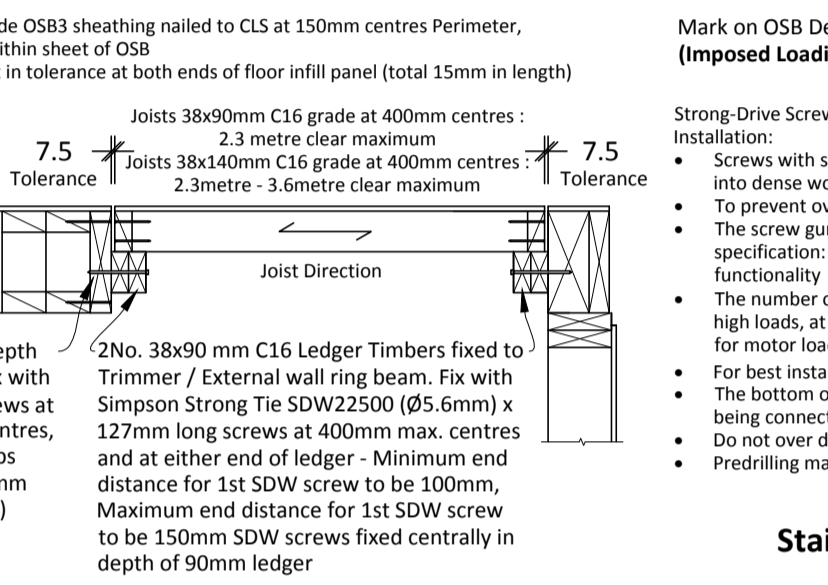
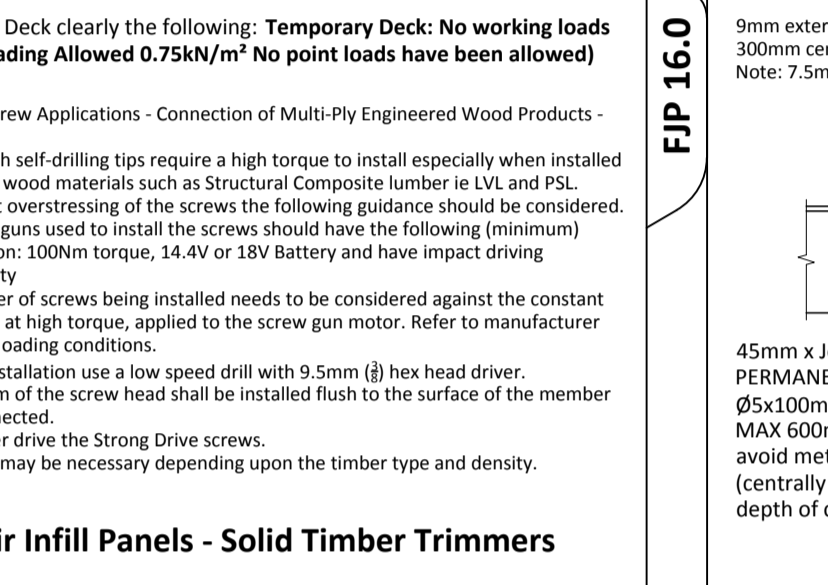
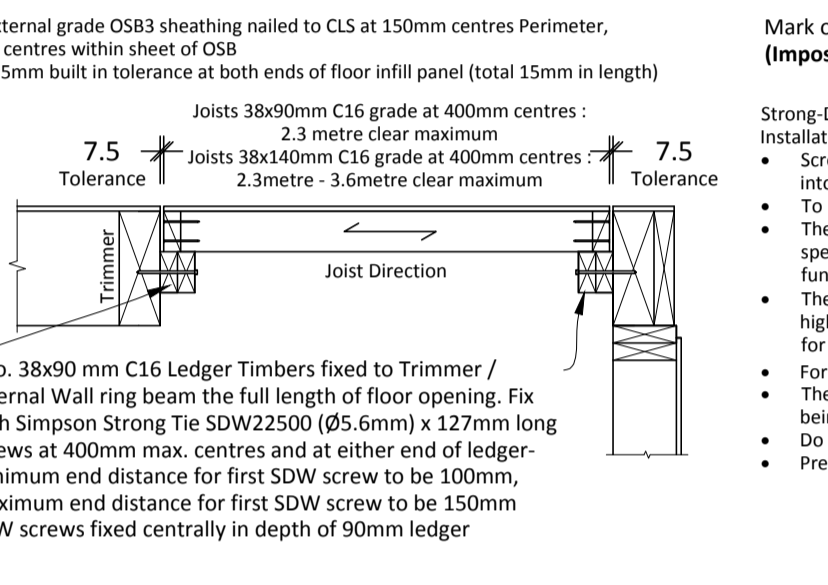


FIP 15.0

BEFORE FIXING POSI JOISTS INSERT LARGE SERVICES (IT MAY NOT BE POSSIBLE AFTER POSI'S HAVE BEEN FIXED)

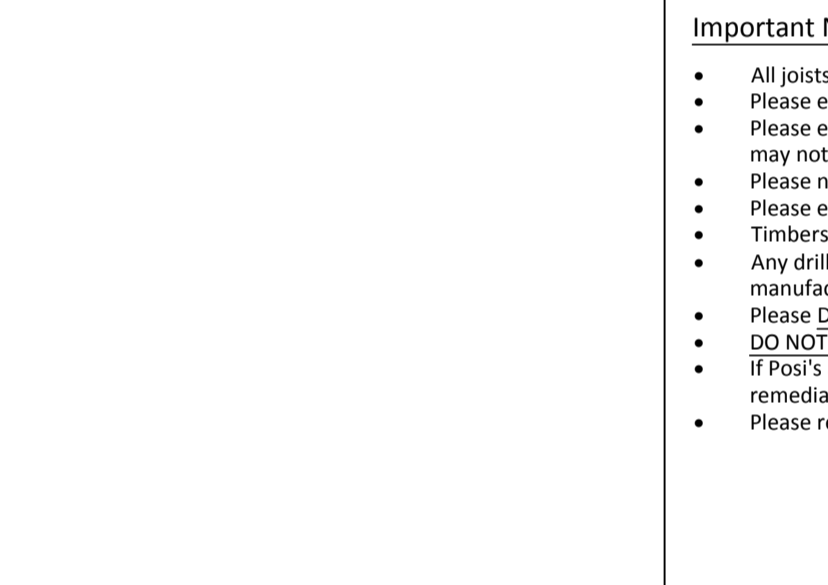
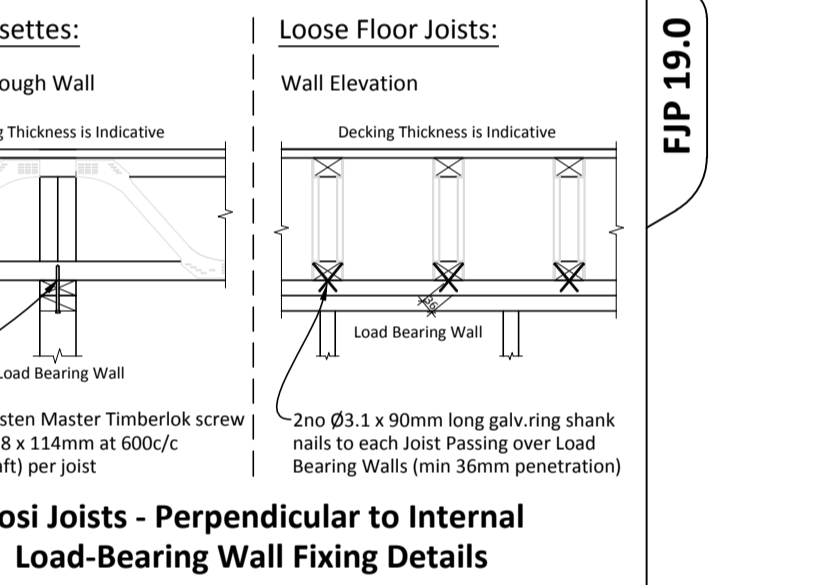
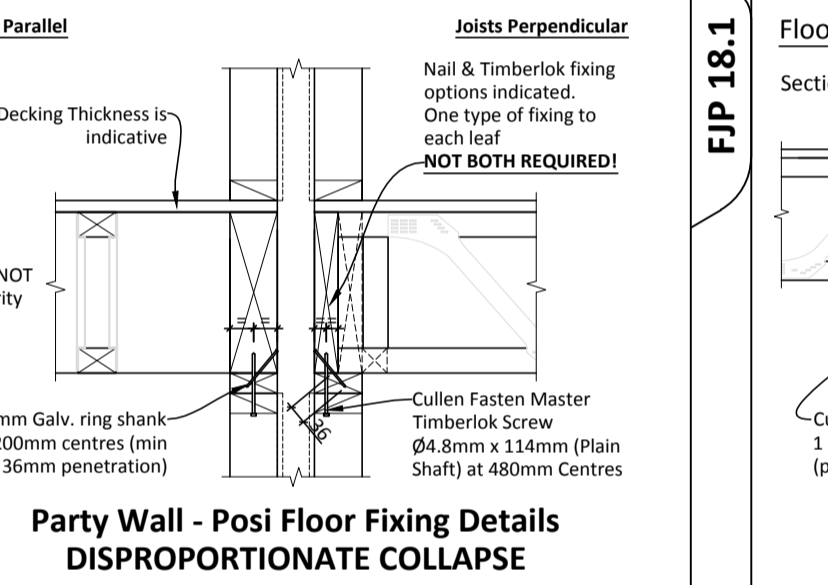
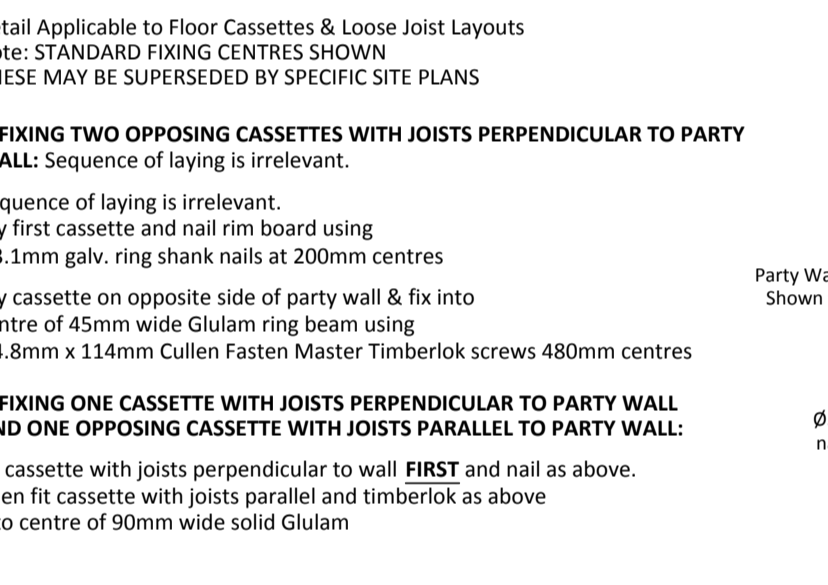
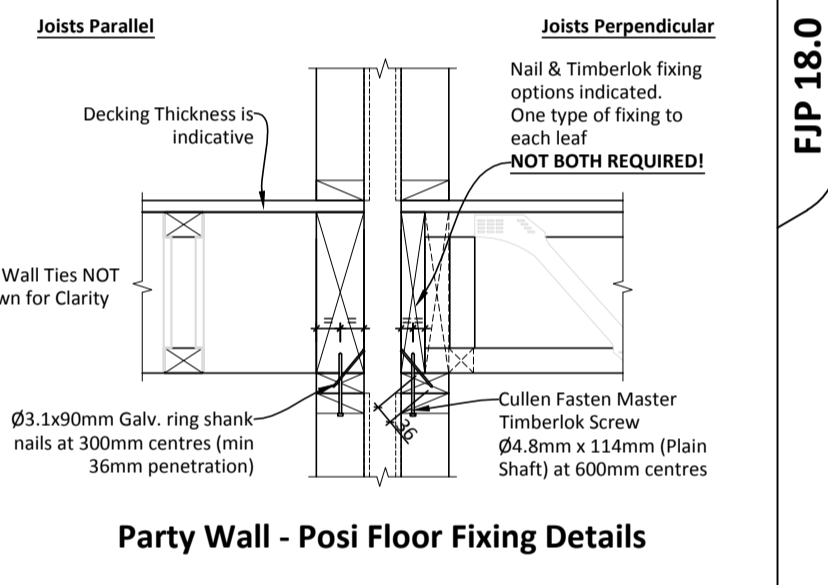
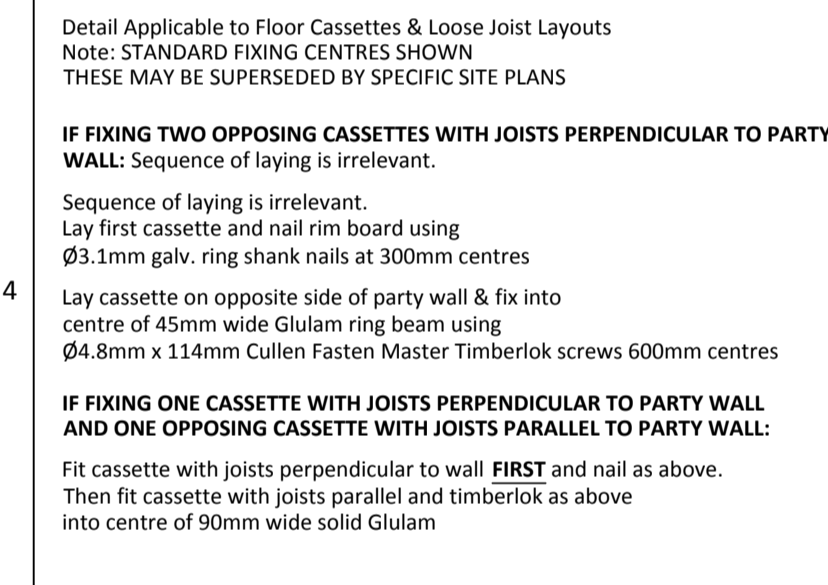
Posi Joist Size	[W]	Circle Ø	Square	Rectangle Depth							
				50	75	100	125	150	175	200	
PS8 (202)	108	105	95	270	180	90	-	-	-	-	-
PS9N (225)	132	130	115	310	240	180	100	-	-	-	-
PS10N (253)	160	150	135	320	270	210	160	80	-	-	-
PS12N (304)	210	190	155	350	310	260	210	160	110	70	-

Maximum Duct Sizes



Mark on OSB Deck clearly the following: **Temporary Deck: No working loads (Imposed Loading Allowed 0.75kN/m² No point loads have been allowed)**

Mark on OSB Deck clearly the following: **Temporary Deck: No working loads (Imposed Loading Allowed 0.75kN/m² No point loads have been allowed)**



Important Notes:

- All joists to be Posi Joists unless stated otherwise.
- Please ensure correct orientation of Posi joists PRIOR to fixing.
- Please ensure Strong-back is fitted to Posi's PRIOR to assembly as it may not be accessible after.
- Please nail loose timbers together with 2No. Nails@300mm centres
- Please ensure all loose JH's labelled are fitted correctly.
- Timbers in loose area NOT marked to be cut to suit on site.
- Any drilling / notching of beams to be in strict accordance with manufacturers instructions.
- Please DO NOT cut or notch Posi Timbers.
- DO NOT remove any metal webs.
- If Posi's are damaged please contact Taylor Lane immediately for remedial work.
- Please read this drawing in conjunction with Posi Details.

FIP 20.1H

HOUSE LOADINGS LOOSE:

TOP DEAD - 0.24 kN/m²
BOTTOM DEAD - 0.26 kN/m²
PARTITION LOAD - 0.30 kN/m²
IMPOSED LOAD - 1.50 kN/m²
HOIST LOAD - 1.90 kN/m²

HOUSE LOADINGS CASSETTES:

TOP DEAD - 0.32 kN/m²
BOTTOM DEAD - 0.26 kN/m²
PARTITION LOAD - 0.30 kN/m²
IMPOSED LOAD - 1.50 kN/m²
HOIST LOAD - 1.90 kN/m²

Posi Joist - Loadings: HOUSES

FIP 20.1F

FLAT LOADINGS:

TOP DEAD - 0.60 kN/m²
BOTTOM DEAD - 0.44 kN/m²
PARTITION LOAD - 0.30 kN/m²
IMPOSED LOAD - 1.50 kN/m²
HOIST LOAD - 1.90 kN/m²

FLAT CORRIDOR LOADINGS:

TOP DEAD - 0.60 kN/m²
BOTTOM DEAD - 0.26 kN/m²
PARTITION LOAD - 0.30 kN/m²
IMPOSED LOAD - 3.00 kN/m²
HOIST LOAD - N/A kN/m²

Posi Joist - Loadings: FLATS

FIP 20.1C

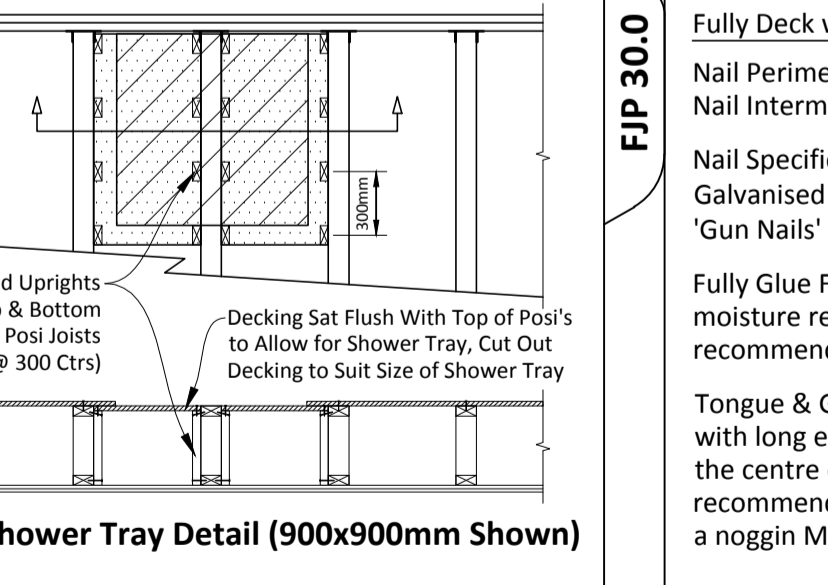
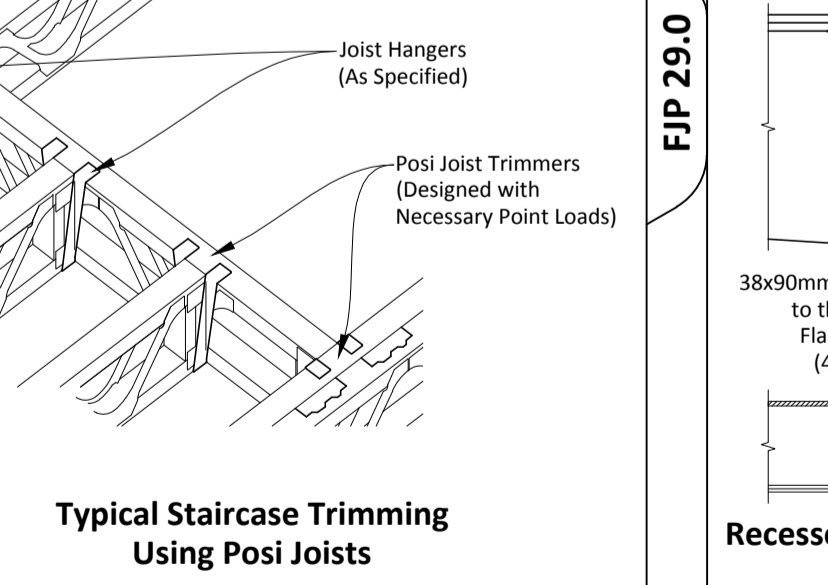
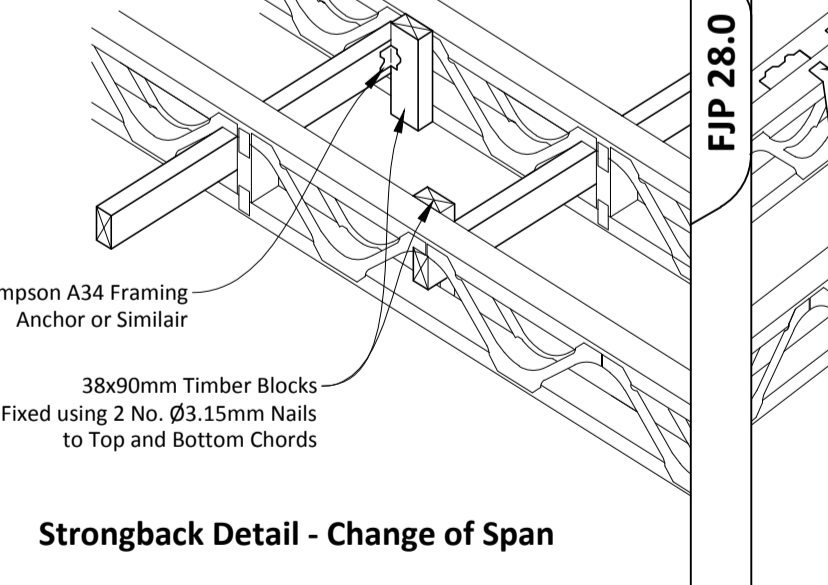
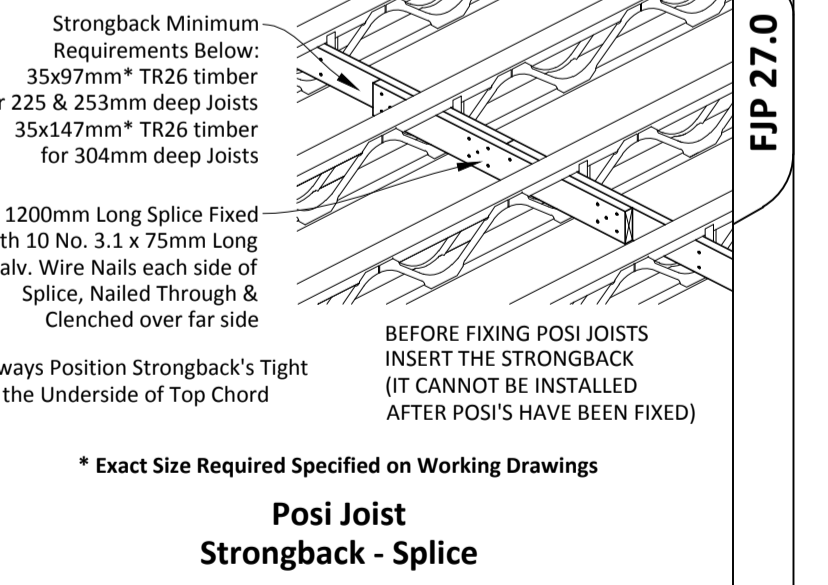
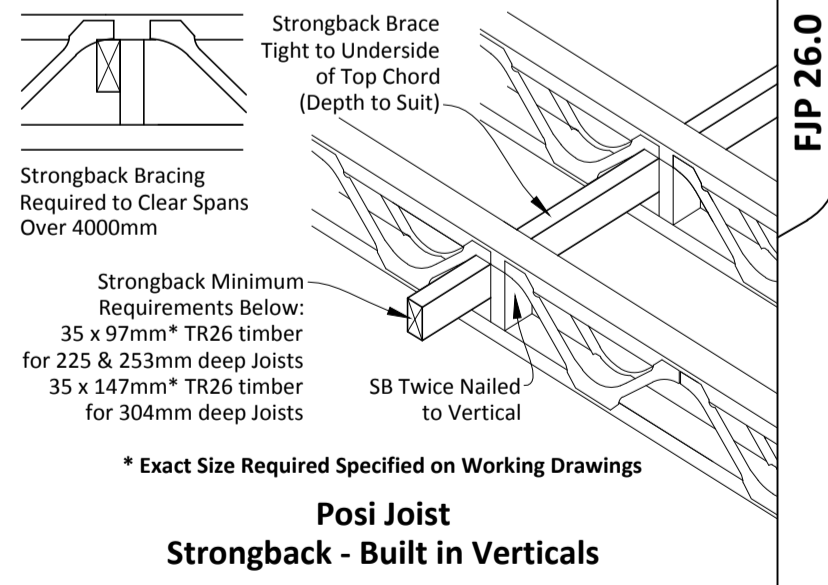
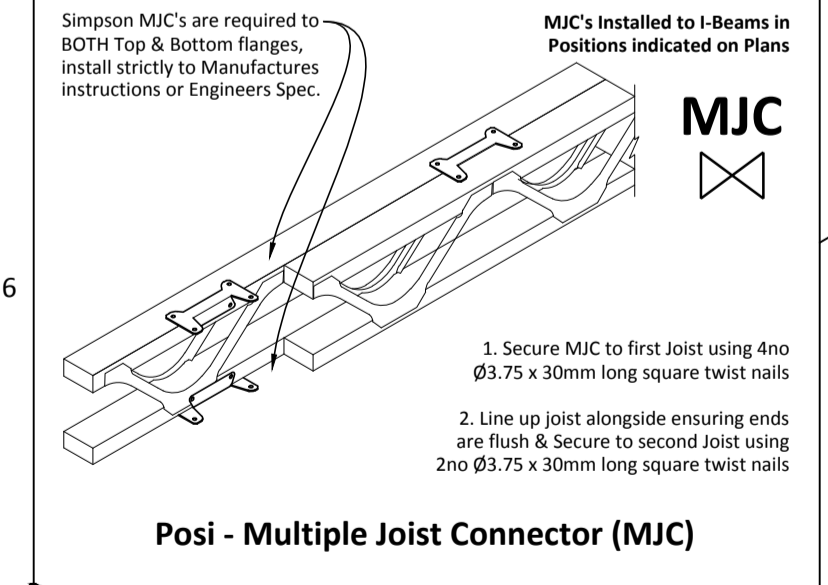
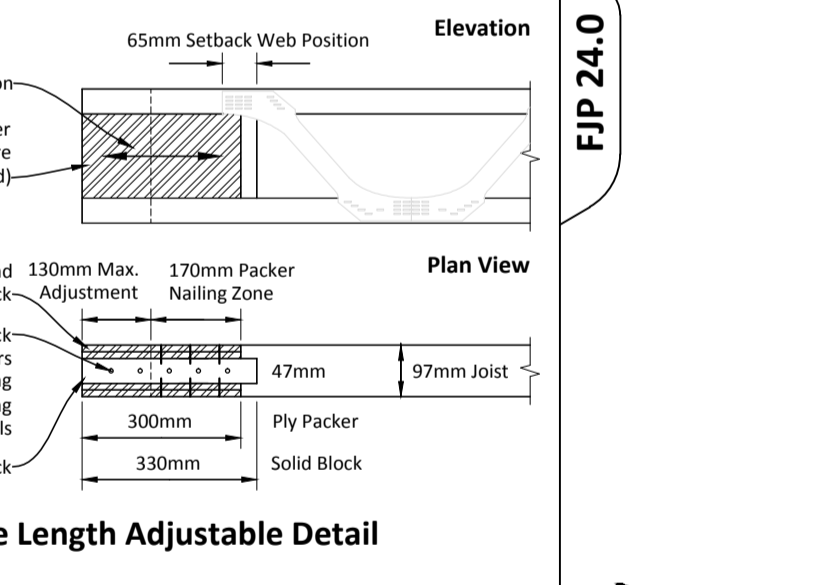
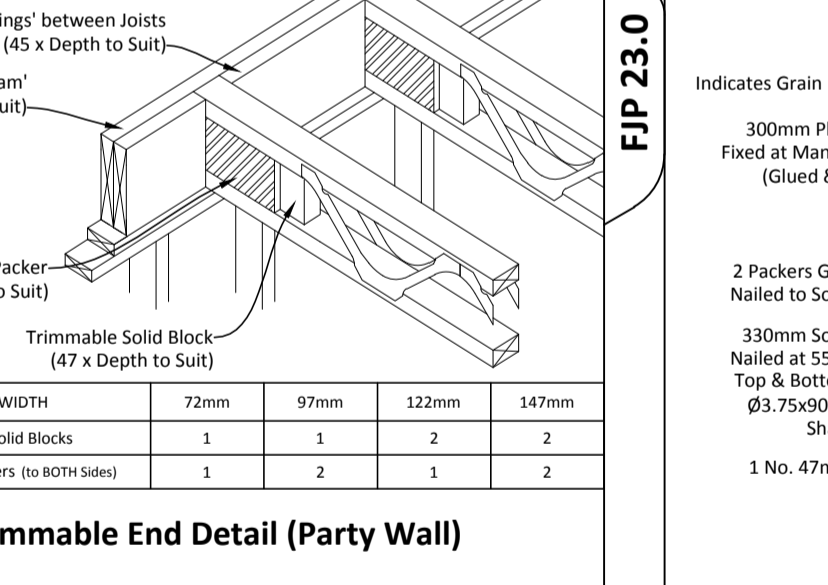
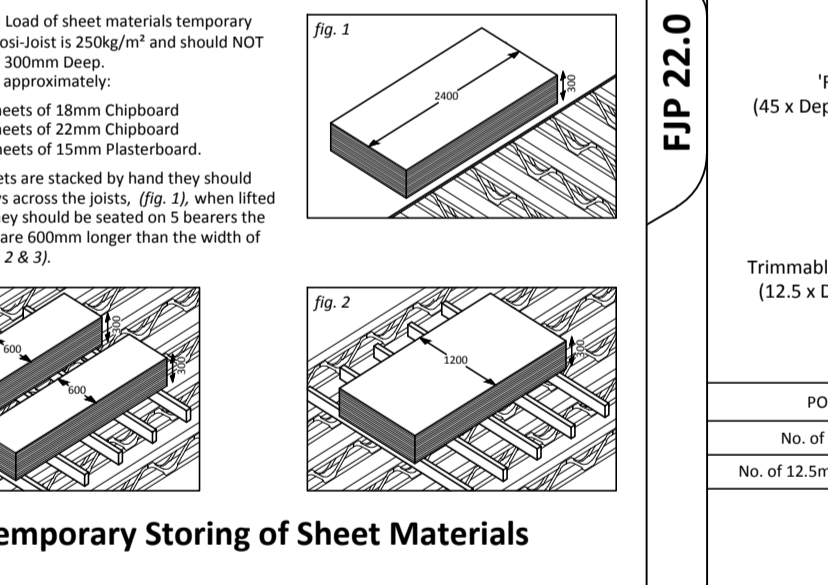
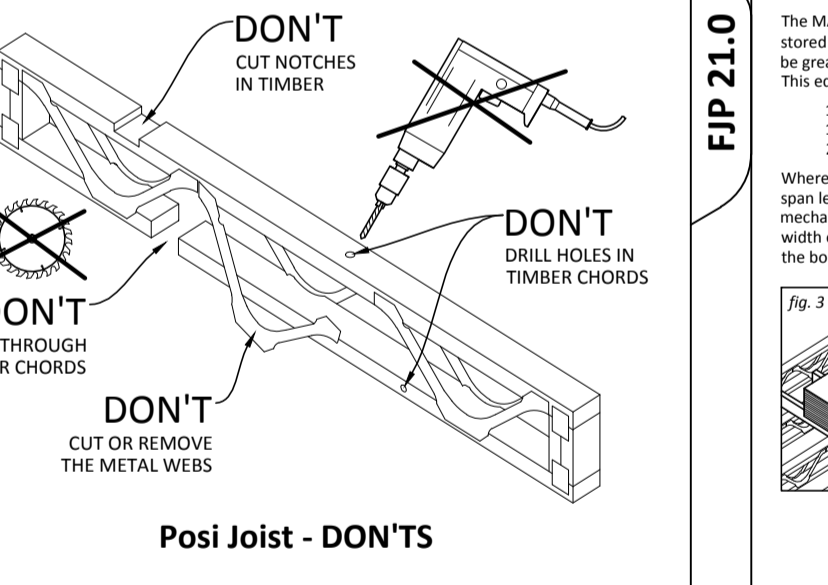
CARE HOME LOADINGS:

TOP DEAD - 0.39 kN/m²
BOTTOM DEAD - 0.38 kN/m²
PARTITION LOAD - 0.30 kN/m²
IMPOSED LOAD - See Code of Practice
HOIST LOAD - 1.90 kN/m²

EXTRA CARE HOME LOADINGS:

TOP DEAD - 0.60 kN/m²
BOTTOM DEAD - 0.44 kN/m²
PARTITION LOAD - 0.30 kN/m²
IMPOSED LOAD - 1.50 kN/m²
HOIST LOAD - 1.90 kN/m²

Posi Joist - Loadings: CARE HOMES



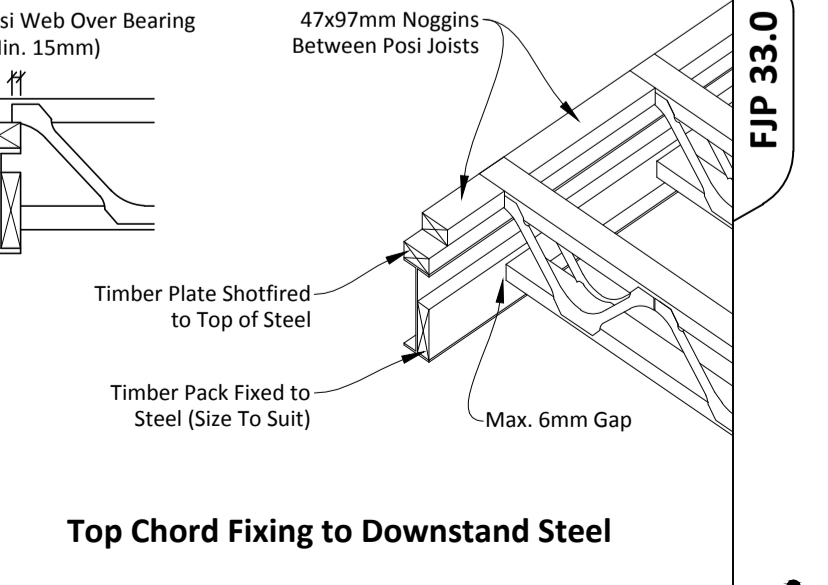
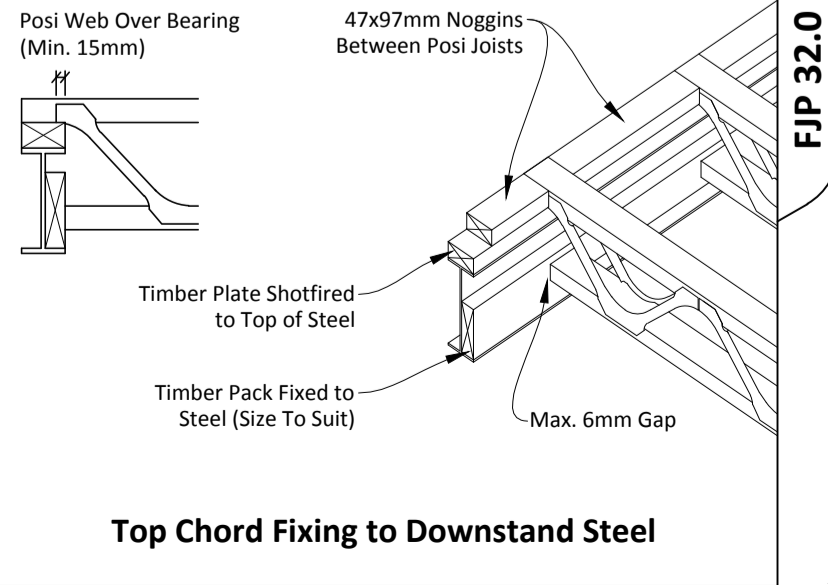
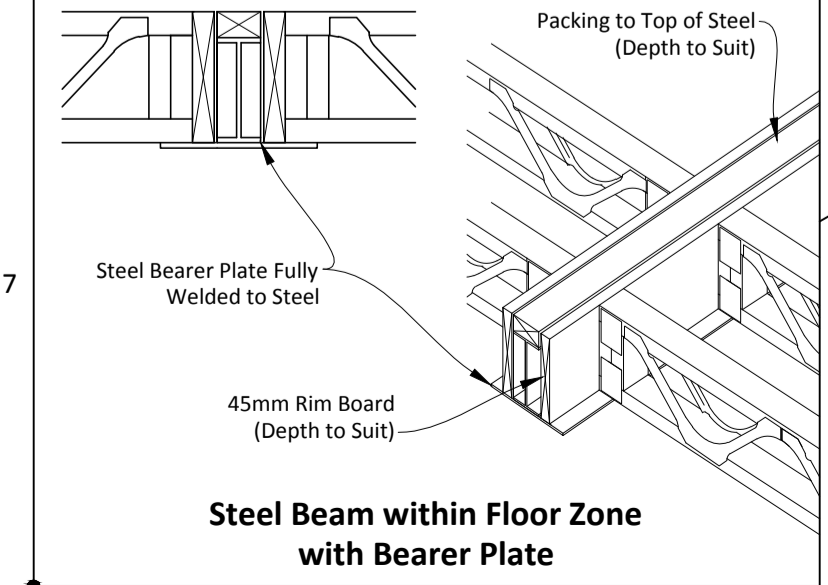
Fully Deck with 18mm OSB T&G / 22mm Chipboard:

Nail Perimeter @ 150mm Centres
Nail Intermediate @ 300mm Centres

Nail Specification:
Galvanised Annular Ring Shank Nails: Ø3.1 x 65mm
'Gun Nails' Galvanised Annular Ring Shank: Ø3.1 x 63mm

Fully Glue Floor Deck to Joists and all Joints using PVA moisture resistant timber adhesive to manufacturers recommendations.

Tongue & Groove boards must be laid in a staggered pattern with long edges across the joists, and short edges falling on the centre of a joist in accordance with manufacturers recommendations. If short ends are not supported by a joist, a noggin MUST be fitted.



TITLE: Posi Detail Sheet

VERSION: 4.2

DATE: Feb. 2013

TAYLOR LANE

TIMBER FRAME | ENGINEERED FLOORS | ROOF TRUSSES
STEEL FABRICATION | JOINERY

www.taylor-lane.co.uk
design@taylor-lane.co.uk

t. 01432 271912 f. 01432 351064
Chapel Road | Rotherwas Industrial Estate | Hereford | HR2 6LD